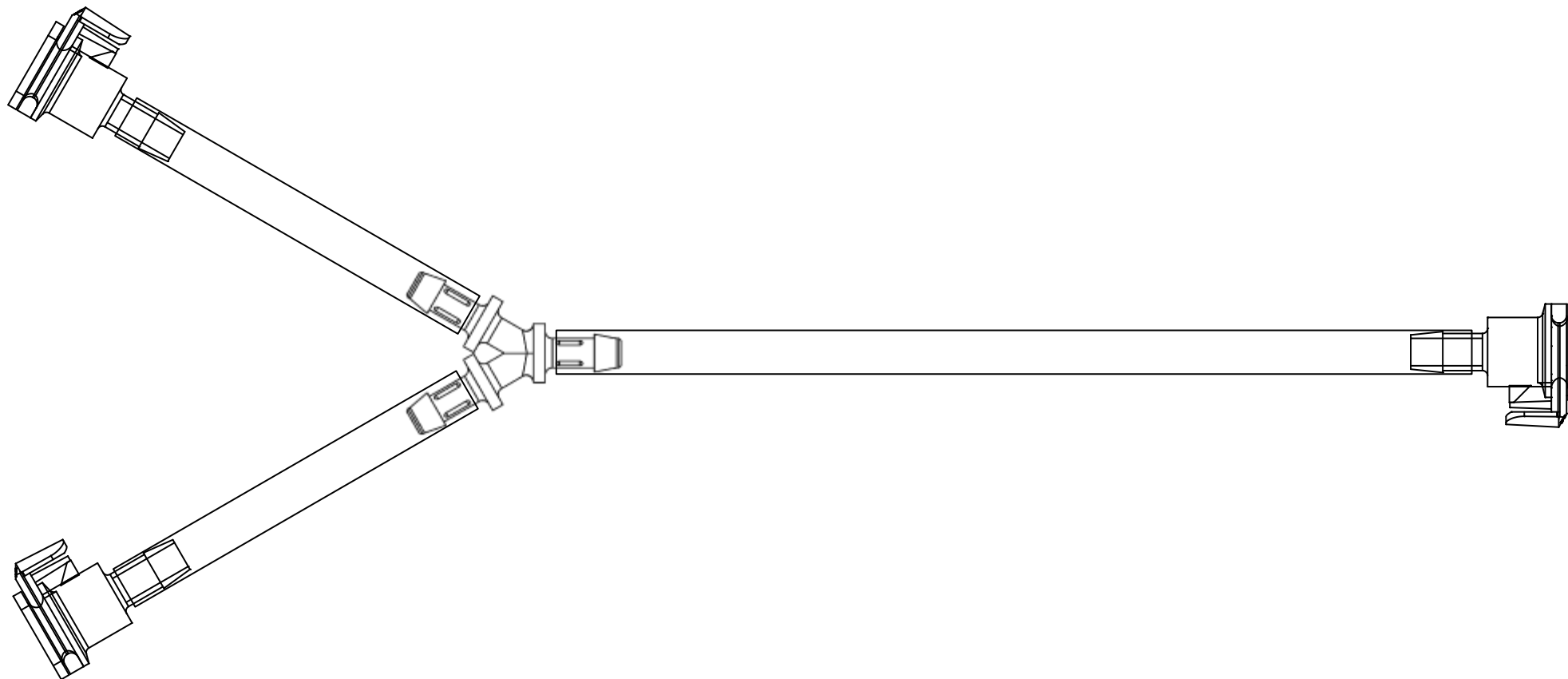


# Fluid transfer

## Y Quick connector



### CUSTOMER APPROVAL READ & APPROVED:

Name: \_\_\_\_\_

Date: \_\_/\_\_/\_\_

Signature: \_\_\_\_\_

### Info on Packaging & Gamma Irradiation

Packaging: double bagged

Label: on outside bag

Gamma Irradiation: Yes, 25-40kGy

### Bill of Materials

All connections, unless otherwise specified, are reinforced with single cable ties