

# ASEPTIQUIK® C SERIES CONNECTORS

**AseptiQuik® C Connectors** provide quick and easy sterile connections, even in non-sterile environments. AseptiQuik's "CLICK-PULL-TWIST" design enables users to transfer media easily with less risk of operator error. The connector's robust design provides reliable performance without the need for clamps, fixtures or tube welders. Biopharmaceutical manufacturers can make sterile connections with the quality and market availability they expect from the leader in single-use connection technology.

## FEATURES

- CLICK-PULL-TWIST design
- Membrane pull tabs
- Robust construction
- Integrated lock ring
- CPC Click
- Market availability

## BENEFITS

- Intuitive three-step connection process reduces risk of operator error
- Ensure simultaneous and secure removal of both membranes
- Repeatable and reliable performance with no additional hardware required
- Secures final connection preventing disassembly
- Audible confirmation of completed assembly steps
- Open access through multiple supply chain partners

## Specifications

### PRESSURE:

Up to 60 psi, 4.1 bar

### TEMPERATURE:

39°F to 104°F (4°C to 40°C)

### TYPICAL FLOW RATE:

Cv = 14.4 max

### STERILIZATION:

**Gamma:** Up to 50kGy irradiation

**Autoclave High Temp (HT) Version:** Up to 266°F (130°C) for 30 minutes

### TERMINATION SIZES:

3/8" (9.5mm) and 1/2" (12.7mm) ID hose barb, and 3/4" sanitary

### MATERIALS:

**Main Components:** Polycarbonate (white), USP Class VI, ADCF

**Lock Ring:** Polycarbonate (blue), USP Class VI, ADCF

**Pull Tabs:** Polycarbonate (blue, standard version), USP Class VI, ADCF

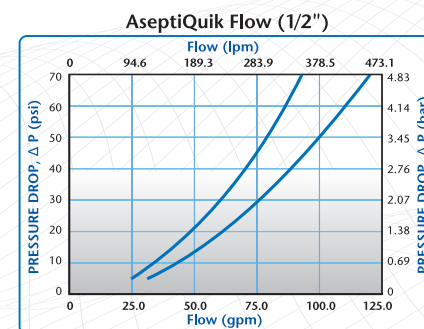
Polycarbonate (white, HT version), USP Class VI, ADCF

**Caps:** Polypropylene (clear), USP Class VI, ADCF

**Seals:** Silicone (clear), platinum-cured, USP Class VI, ADCF

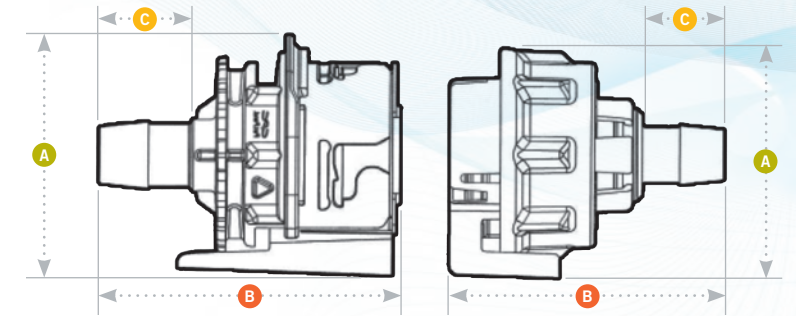
**Membrane:** Polyethylene (standard version), USP Class VI, ADCF  
Hydrophobic polyethersulfone (HT version), USP Class VI, ADCF

This graph is intended to give you a general idea of the performance capabilities of each product line. The shaded area of the graph represents the operating range of the product family, i.e. upper and lower values are shown. Therefore, depending on the exact coupling configurations selected, you can reasonably expect values to fall within the shaded area.



# ASEPTIQUIK® C SERIES DIMENSIONS

- A = Height/Diameter
- B = Total Length
- C = Hose Barb Length



## Coupling Bodies

### • POLYCARBONATE with Blue Pull Tabs

TERMINATION	PART NO.	FLOW	A	B	C
3/8" HOSE BARB	AQC17006	.34	2.36 (59.9)	2.74 (69.6)	0.65 (16.5)
1/2" HOSE BARB	AQC17008	.50	2.36 (59.9)	2.95 (74.9)	0.89 (22.6)
3/4" SANITARY	AQC33012	.50	2.36 (59.9)	2.73 (69.3)	0.70 (17.8)

### • POLYCARBONATE HT with White Pull Tabs

TERMINATION	PART NO.	FLOW	A	B	C
3/8" HOSE BARB	AQC17006HT	.34	2.36 (59.9)	2.74 (69.6)	0.65 (16.5)
1/2" HOSE BARB	AQC17008HT	.50	2.36 (59.9)	2.95 (74.9)	0.89 (22.6)
3/4" SANITARY	AQC33012HT	.50	2.36 (59.9)	2.73 (69.3)	0.70 (17.8)

## Coupling Inserts

### • POLYCARBONATE with Blue Pull Tabs

TERMINATION	PART NO.	FLOW	A	B	C
3/8" HOSE BARB	AQC22006	.34	2.50 (63.5)	2.90 (73.7)	0.65 (16.5)
1/2" HOSE BARB	AQC22008	.50	2.50 (63.5)	2.99 (75.9)	0.89 (22.6)
3/4" SANITARY	AQC44012	.50	2.50 (63.5)	2.80 (71.1)	0.70 (17.8)

### • POLYCARBONATE HT with White Pull Tabs

TERMINATION	PART NO.	FLOW	A	B	C
3/8" HOSE BARB	AQC22006HT	.34	2.50 (63.5)	2.90 (73.7)	0.65 (16.5)
1/2" HOSE BARB	AQC22008HT	.50	2.50 (63.5)	2.99 (75.9)	0.89 (22.6)
3/4" SANITARY	AQC44012HT	.50	2.50 (63.5)	2.80 (71.1)	0.70 (17.8)

## CLICK-PULL-TWIST Assembly Procedure

